

L-IP LIP-xECTB EIA-709/IP Router

Installation instructions

Instructions de montage

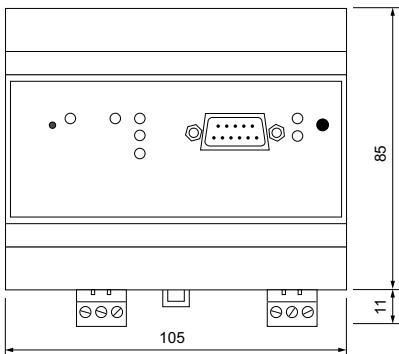
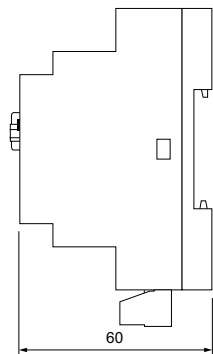
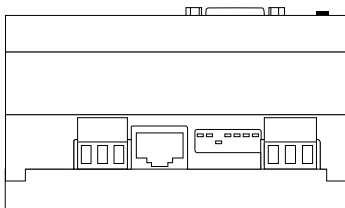
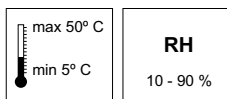
Montageanweisung

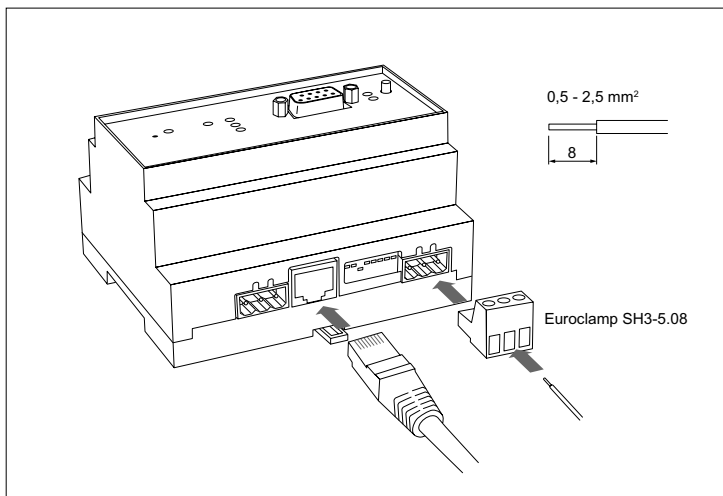
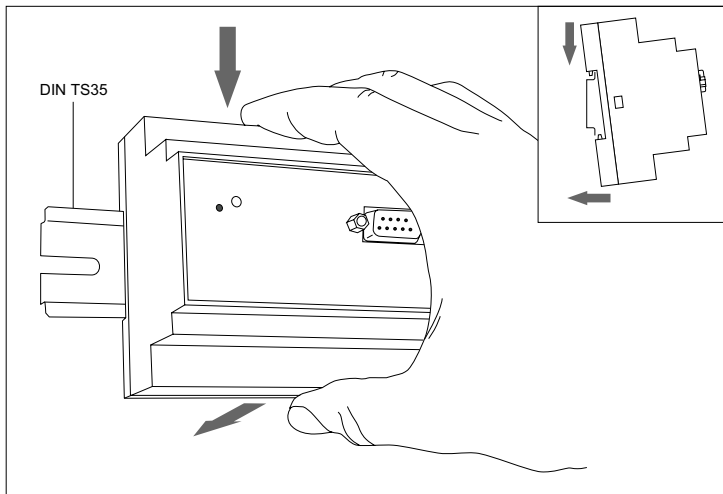
Montagevoorschrift

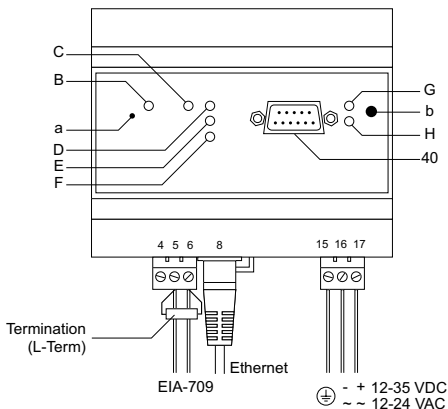
Istruzioni di montaggio

Instrucciones de montaje

Monteringsanvisning







Status LEDs

| | | |
|---|---|--|
| B | GREEN flashing fast GREEN flashing at 1 Hz RED permanent RED flashing fast | Traffic on EIA-709 port Not commissioned EIA-709 port damaged EIA-709 traffic overload |
| C | GREEN YELLOW RED Flashing at 1Hz OFF | IP port is fully functional IP port functional but config. is not up-to-date IP port is non-functional IP port not commissioned IP port not active |
| D | GREEN | Ethernet link |
| E | GREEN flashing | Ethernet traffic |
| F | GREEN | Config. server enabled |
| G | GREEN | Power |
| H | OFF | Normal operation |

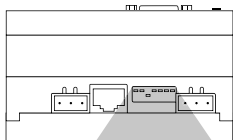
Connectors

| | |
|----|---------------------------------|
| 4 | EIA-709 input EARTH GND port 1 |
| 5 | EIA-709 input B port 1 |
| 6 | EIA-709 input A port 1 |
| 8 | Ethernet 10/100 BaseT (RJ45) |
| 15 | Power supply input earth ground |
| 16 | Power supply input MINUS |
| 17 | Power supply input PLUS |
| 40 | RS-232 interface (DB9 male) |

\triangle Do not connect to GND

Buttons

| | |
|---|--------------------------|
| a | Reset |
| b | Send service pin message |



OFF
ON

| DIP1 | DIP2 | Function |
|------|------|------------------------------------|
| ON | ON | Smart switch mode |
| ON | OFF | Repeater mode |
| OFF | ON | Smart switch mode/ subnet learning |
| OFF | OFF | Configured EIA-709 router |

| DIP3 | Function (RS-485 version only) |
|------|--------------------------------|
| ON | Bit-rate auto detection on |
| OFF | Bit-rate auto detection off |

| | |
|------|-------------|
| DIP4 | Must be OFF |
| DIP5 | Must be OFF |
| DIP6 | Must be OFF |
| DIP7 | Must be OFF |

Node ID of router on EIA-709 Port 1

Virtual (Node) ID of router on EIA-852 port (Ethernet)

MAC address of EIA-852 Ethernet port

Serial number of the device

