

# LIOB-150 I/O Module

## Installation instructions

Instructions de montage

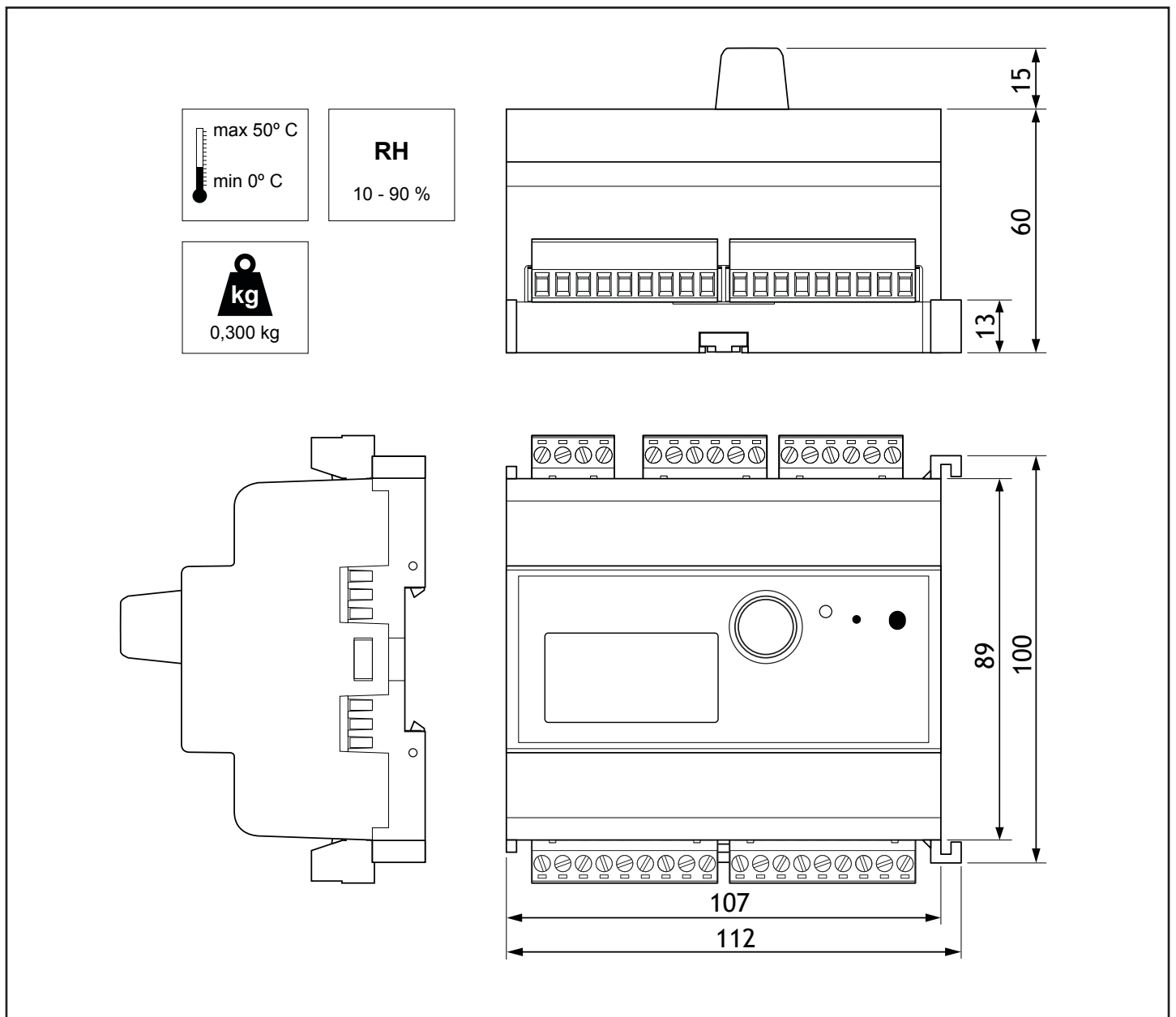
Montageanweisung

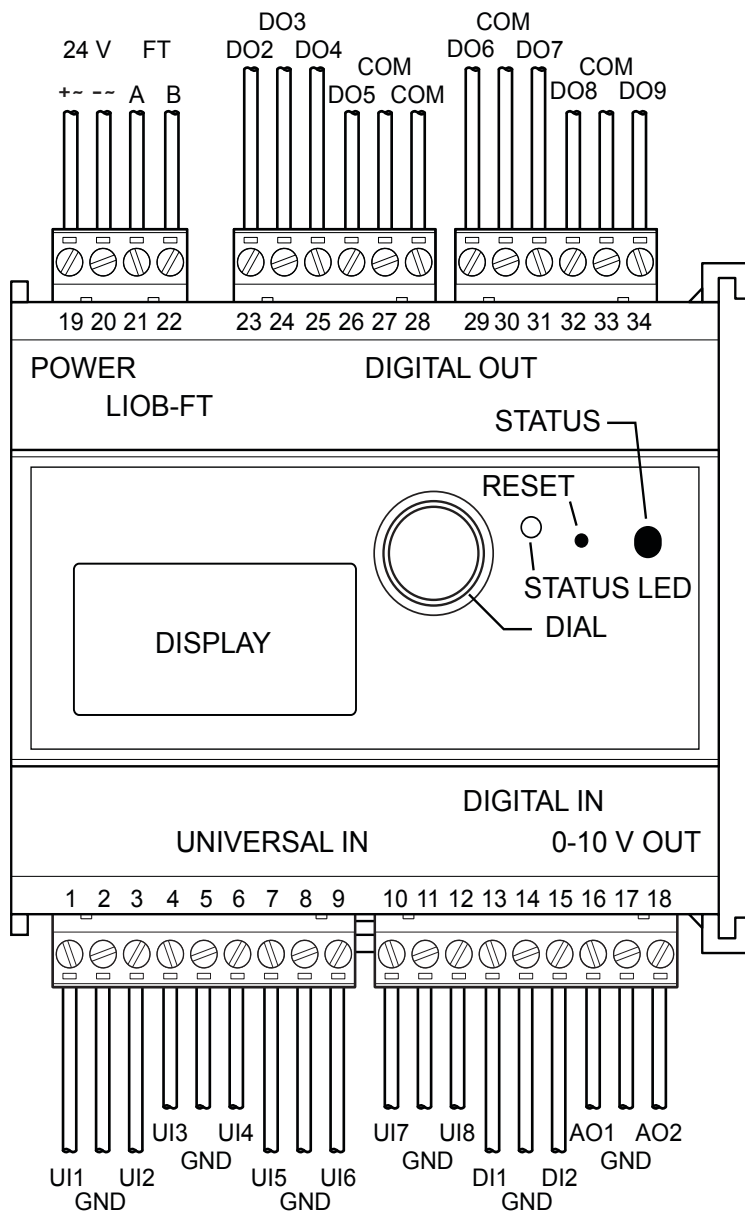
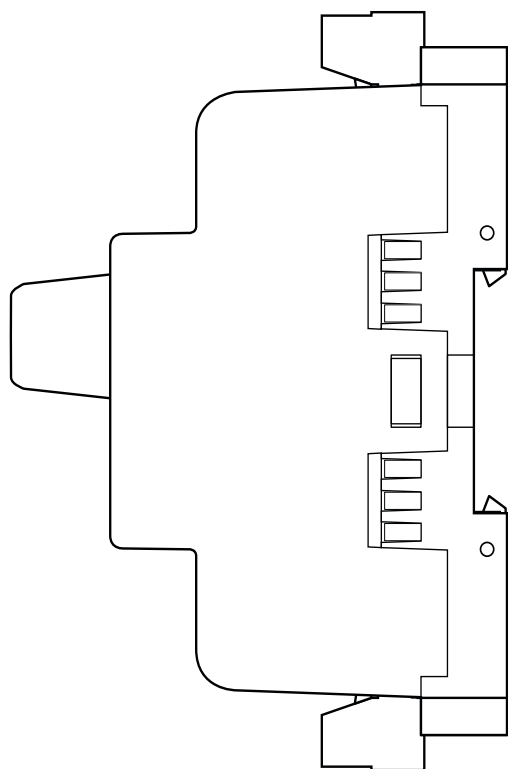
Montagevoorschrift

Istruzioni di montaggio

Instrucciones de montaje

Monteringsanvisning





Buttons	
STATUS	Status Button
RESET	Reset Button
DIAL	Turn-and-Push Dial

Connectors		
UNIVERSAL INPUT	1	Input UI1
	2	Input GND
	3	Input UI2
	4	Input UI3
	5	Input GND
	6	Input UI4
	7	Input UI5
	8	Input GND
	9	Input UI6
	10	Input UI7
	11	Input GND
	12	Input UI8
DIGITAL INPUT	13	Input DI1
	14	Input GND
	15	Input DI2
ANALOG OUTPUT 0-10 V	16	Output AO1
	17	Output GND
	18	Output AO2

Connectors		
POWER SUPPLY	19	Input 24 V PLUS or AC
	20	Input 24 V MINUS or AC
TP/FT-10 CEA-709	21	LI0B-FT Input A
	22	LI0B-FT Input B
DIGITAL OUTPUT RELAY 6 A	23	Output DO2
	24	Output DO3
	25	Output DO4
	26	Output DO5
	27	Output Common for DO2 to DO5
	28	Output Common for DO2 to DO5
DIGITAL OUTPUT TRIAC 1 A	29	Output DO6
	30	Output Common for DO6 & DO7
	31	Output DO7
	32	Output DO8
	33	Output Common for DO8 & DO9
	34	Output DO9

Status LED		
STATUS	OFF	Unconfigured
	GREEN	LIOB-150 in operation
	ORANGE	LIOB-150 in manual / overwrite mode
	RED	Error
	FLASHING	Traffic

