

RS-485 FT ETH2 RESET
 ETH1 PC USB STATUS STATUS LED

Status LEDs

RS-485 MS/TP	BACnet MS/TP enabled: GREEN flashing ORGANE flashing RED permanent with GREEN flashing RED flashing fast	Traffic on BACnet MS/TP (multi master) Traffic on BACnet MS/TP (single master) Token lost, cable might be broken Transceiver Errors, bad cabling
RS-485 Modbus	Modbus RTU enabled: GREEN flashing RED flashing	Traffic on Modbus RTU port Device not responding or network error
FT	GREEN flashing fast GREEN flashing at 1 Hz RED permanent RED flashing fast	Traffic on CEA-709 port CEA-709 port not commissioned CEA-709 port is damaged Traffic overload on CEA-709 port
ETH 1, ETH 2	GREEN GREEN flashing	Ethernet link Ethernet traffic
STATUS	GREEN OFF ORANGE flashing	Power on, Normal operation Power off Fall-Back Mode

Buttons

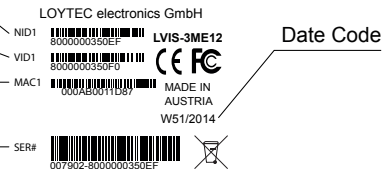
RESET	Reset
STATUS	CEA-709: Send service pin message / BACnet: Send I-Am message

Node ID of CEA-709 Port

Virtual (Node) ID of CEA-852 port (Ethernet)

MAC address of CEA-852 Ethernet port

Serial number of the device



Document 88083301
 2014-11
 Printed in Austria
 Data is subject to change



<http://www.loytec.com>
support@loytec.com

L-VIS LVIS-3ME7 Touch Panel 7"
 LVIS-3ME12 Touch Panel 12.1"
 LVIS-3ME15 Touch Panel 15"

Installation instructions

Instructions de montage

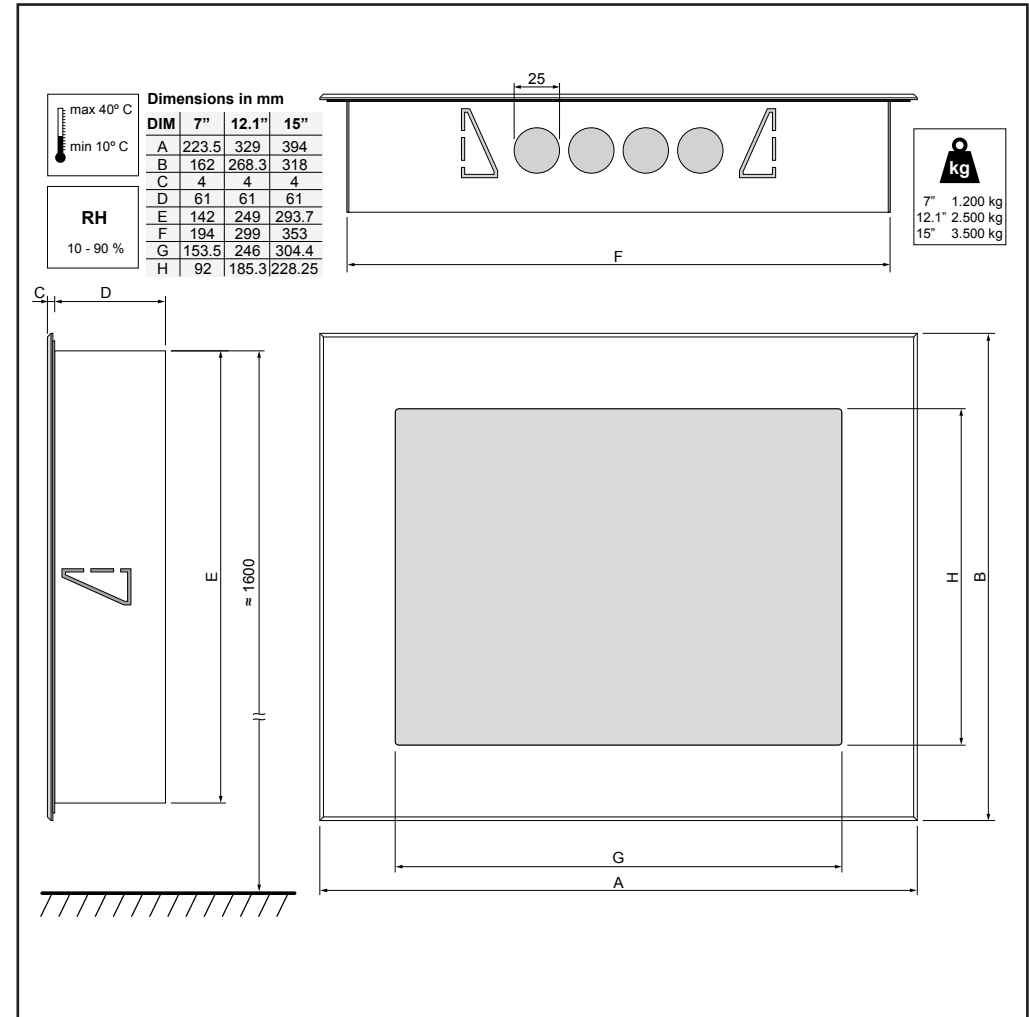
Istruzioni di montaggio

Montageanweisung

Instrucciones de montaje

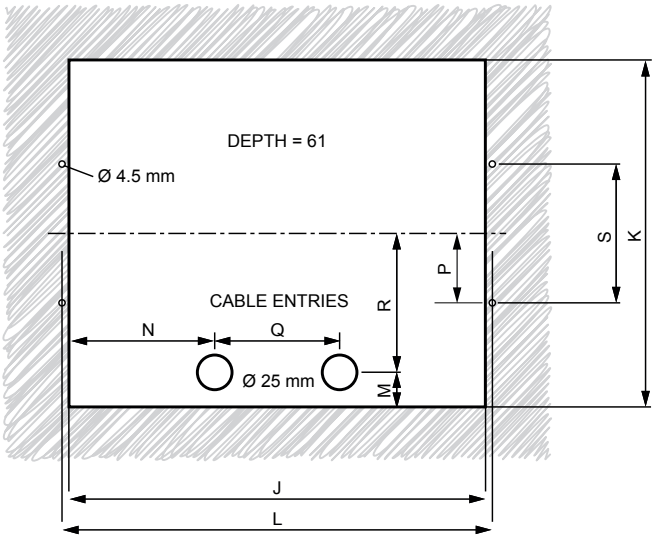
Montagevoorschrift

Monteringsanvisning



<http://192.168.1.254>
 User: admin
 Password: loytec4u

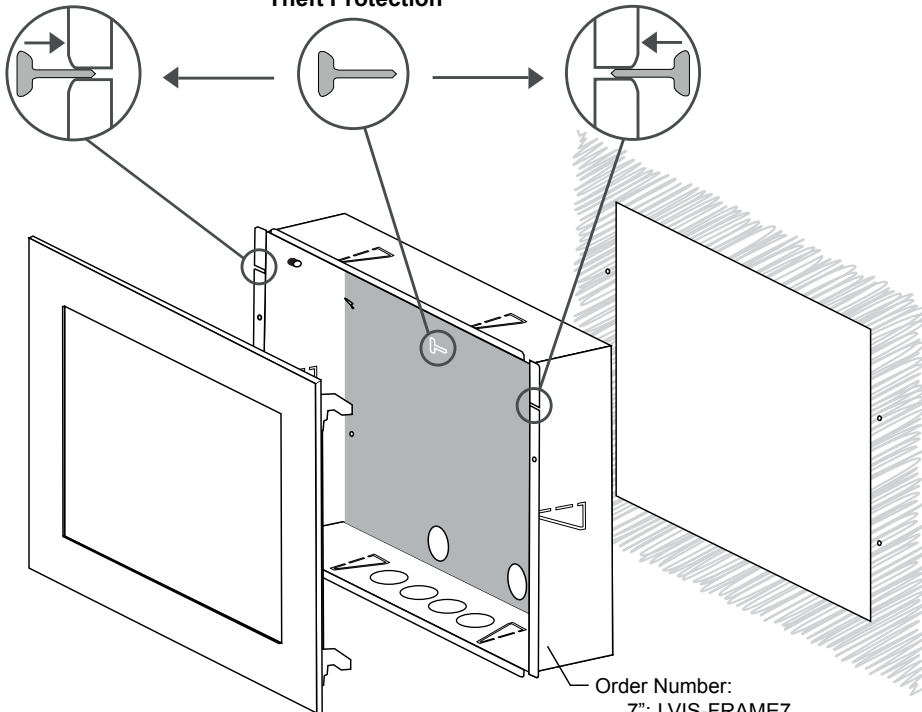




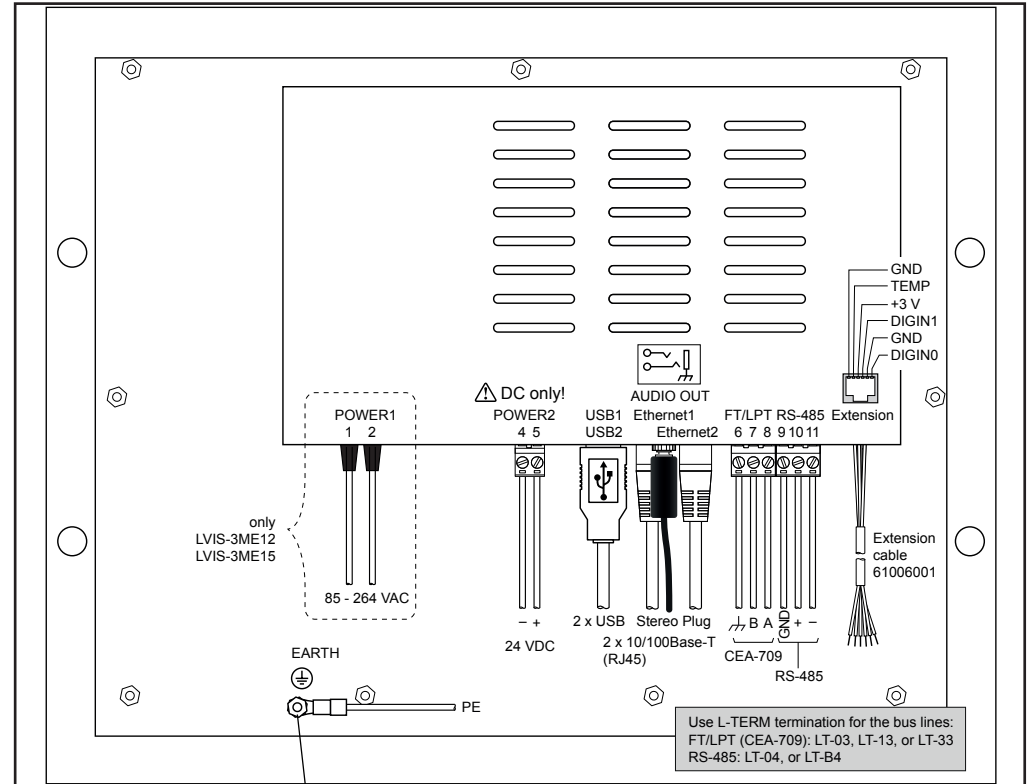
Dimensions in mm

DIM	7"	12.1"	15"
J	195	300	355
K	143	250	295
L	206	310	365
M	21	25	47.5
N	62	105	132.5
P	30	50	46.7
Q	70	90	90
R	50	100	100
S	60	100	100

Theft Protection



Order Number:
 7": LVIS-FRAME7
 12.1": LVIS-FRAME12
 15": LVIS-FRAME15



⚠️ PROTECTIVE EARTH MUST BE CONNECTED!

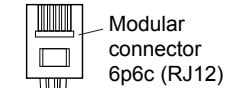
Connectors

POWER1 85-264 VAC	1 2	only LVIS-3ME12, LVIS-3ME15 Power supply AC input
POWER2 24 VDC	4 5	Power supply DC input MINUS Power supply DC input PLUS ⚠️ do not connect PLUS to GND
CEA-709 TP/FT-10 TP/LPT	6 7 8	Input earth ground Input B Input A
RS-485	9 10 11	RS-485 GND RS-485 PLUS RS-485 MINUS

TRS connector
Stereo 3.5 mm

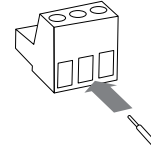


Extension cable
Nr. 61006001

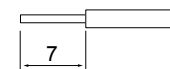


black GND
green TEMP
red +3 V
white DIGIN1
blue GND
yellow DIGIN0

Weidmüller BLZP 5.08/03/180 (3 pin)
 BLZP 5.08/02/180 (2 pin)



0,2 - 2,5 mm²



All connected together

