

Features

- Routes packets between CEA-709 and IP networks (10/100 Mbit/s Ethernet)
- LIP-3ECTB supports one TP/FT-10 channel, LIP-1ECTB supports one TP/XF-1250 channel, LIP-33ECTB supports two TP/FT-10 channels, LIP-333ECTB supports four TP/FT-10 channels
- Compliant with CEA-709.1-B, CEA-709.1-C, CEA-852-B, ISO/IEC 14908 standard (LONMARK Systems)
- Tunneling of CEA-709 packets through IP (Ethernet) networks
- Configured Router Mode support
- Smart Switch Mode support
- Easy installation, Auto-NAT, Roaming, DHCP
- Built-in CEA-852 configuration server for up to 256 members (recommended 100)
- Remote LPA support with LPA-IP
- Built in web server for the device and IP-852 channel configuration
- MD5 authentication
- SNTP support for time synchronization
- Built-in communication test
- Supports firmware update through serial port, Ethernet or CEA-709 channel
- Network diagnostic LEDs
- CEA-709 status and activity LED
- Ethernet link and activity LED
- CEA-852 status and operating mode LED
- Remote monitoring of the supply voltage and device temperature
- DIN-rail mountable



After installation, the L-IP is ready to route packets between the CEA-709 network and the IP network. Thus, all CEA-709 networks connected to L-IPs can exchange data over the CEA-852 channel. If connected to untrusted networks, such as the Internet, all CEA-852 packets can be authenticated by an MD5 checksum and time stamps.

Besides its primary router operation, the L-IP is a powerful network diagnostics device. Its simple and intuitive user interface provides an immediate overview over the network status.

Both the CEA-852 channel and CEA-709 network can be observed with 6 status LEDs. For troubleshooting, the L-IP supports the remote LPA (LOYTEC Protocol Analyzer) functionality so that the network can be analyzed from any PC connected to the Internet.

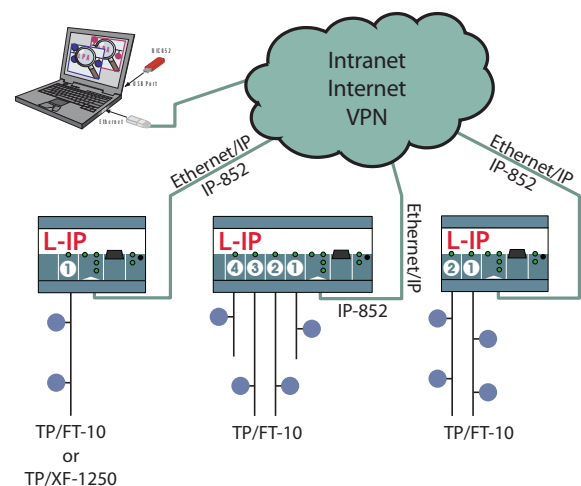
With the L-Switch^{XP} and the L-IP, setting up a wide area network infrastructure becomes an easy task.

Description

The L-IP fills the gap between CEA-709 installations and IP networks. It can tunnel CEA-709 packets back and forth through an arbitrary IP-based network, such as LAN, an Intranet, or even the Internet. The L-IP connects to the IP network via an Ethernet channel. Available CEA-709 transceivers include TP/FT-10 and TP/XF-1250.

The installation of an L-IP router requires little effort. The IP configuration can either be obtained via DHCP or entered manually. The user only needs to provide the IP address of an CEA-852 configuration server. If operated behind a router with network address translation (NAT or masquerading), the L-IP supports Auto-NAT to work with dynamic public IP addresses.

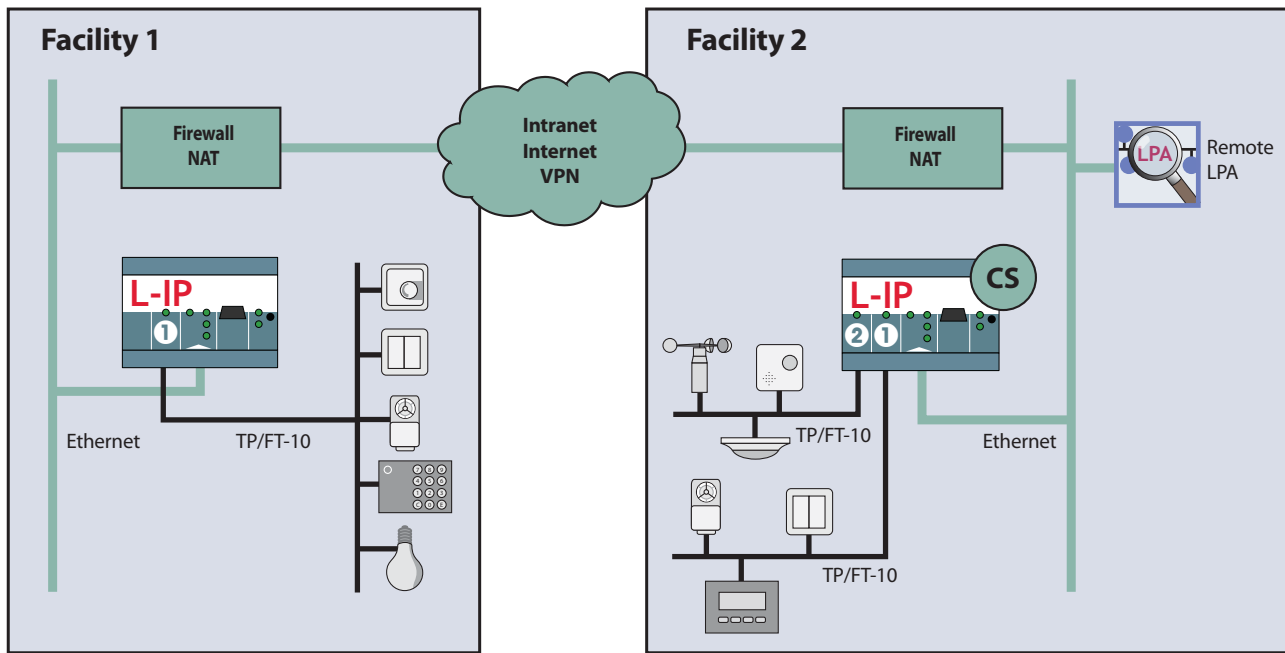
When using the built-in CEA-852 configuration server, the user can edit and backup the IP channel configuration through the built-in web server. The configuration is stored persistently and the device operates completely standalone.



Flat network architectures based on an IP Backbone are specified for best performance and a better maintainability of CEA-709 networks. To meet these requirements, LOYTEC offers a range of IP-Router supporting up to four twisted pair channel.

A rather complex example for an L-IP deployment is shown below. In this scenario, the CEA-709 networks of two geographically separated facilities have to be connected. At both locations, the CEA-709 networks are connected to the company's IP network with an L-IP router. The L-IP (labeled CS) acts as a configuration server in addition to its routing functionality. Typically, company branches are connected via firewalls with network address translation like cable or DSL routers which is supported by the L-IPs.

After installation and configuration, the CEA-709 networks are connected and can start to exchange data. Since in Smart Switch Mode the L-IPs can learn the network topology automatically, no further configuration is needed. For network troubleshooting, the maintenance staff can remotely analyze the network of facility 1 with a Remote LPA protocol analyzer running on any PC attached to the LAN in facility 2.



Specifications

Type	LIP-3ECTB	LIP-1ECTB	LIP-33ECTB	LIP-3333ECTB
Dimensions (mm)	107 x 100 x 60 (L x W x H)			159 x 100 x 60 (L x W x H)
Power supply	12-35 VDC / 12-24 VAC ±10 %, typ. 3 W			
Interfaces	1 x Ethernet (100Base-T) LONMARK IP-852, HTTP, FTP			
	1 x TP/FT-10	1 x TP/XF-1250	2 x TP/FT-10	4 x TP/FT-10
Tools	Configuration via Web browser or Console (EIA-232)			
Resource limits				
Configuration Server	CEA-852 configuration server for up to 256 members on the IP channel			

Order number	Configuration
LIP-3ECTB	CEA-709/IP-852 Router, 1 x TP/FT-10, 1 x Ethernet Port (IP-852)
LIP-1ECTB	CEA-709/IP-852 Router, 1 x TP/XF-1250, 1 x Ethernet Port (IP-852)
LIP-33ECTB	CEA-709/IP-852 Router, 2 x TP/FT-10, 1 x Ethernet Port (IP-852)
LIP-3333ECTB	CEA-709/IP-852 Router, 4 x TP/FT-10, 1 x Ethernet Port (IP-852)

AST, "buildings under control", LC3020, L-Chip, L-Core, L-DALI, L-GATE, L-INX, L-IOB, LIOB Connect, LIOB FT, L-IP, L-MBUS, LPA, L-POW, L-Proxy, L-ROC, L-STUDIO, L-Switch, L-Term, L-VIS, L-WEB, and ORION stack are trademarks of LOYTEC electronics GmbH. Other trademarks and trade names used in this document refer either to the entities claiming the markets and names, or to their products.

LOYTEC disclaims proprietary interest in the markets and names of others. LOYTEC reserves the right to make changes to these specifications without further notice for performance, reliability, production technique, and other considerations.