



SLaM-DALI

Lamp controller for electronic ballasts and LED drivers
Powerline to DALI gateway for outdoor light dimming applications

SLaM-DALI is an electronic device for point to point light dimming control that provides the maximum energy saving potential in streetlighting installations, optimizing the light level of every zone through dimming functions over luminaires provided with electronic ballasts or LED drivers with DALI control port.

SLaM-DALI is an electronic circuit to remote control any light through the existing mains wiring of the installation. The device has a data transmission system complying with the EN14908 standard (LonWorks®) which is used to send and receive information to/from a control cabinet. It also includes a DALI lighting interface to control any electronic ballast or LED driver and switch or dim the

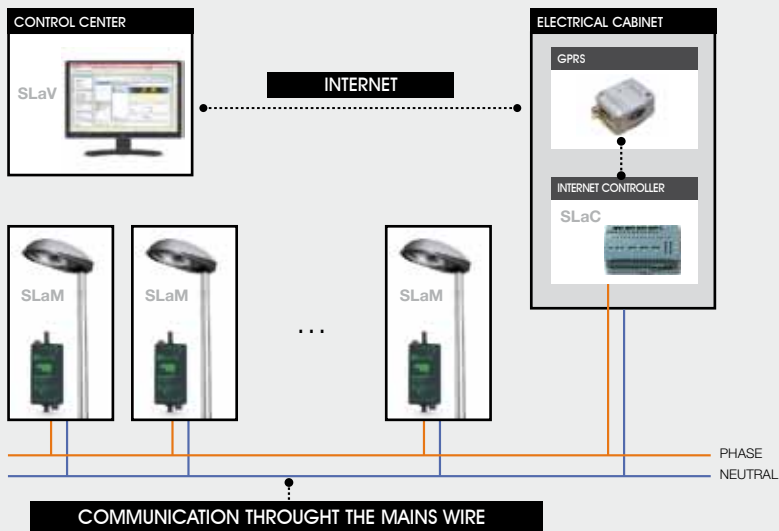
luminous flux of the lamp at any desired level, to save energy as much as possible. The DALI port also provides alarm failures of the ballast and the lamp.

SLaM-DALI can be installed in the pole or inside the luminaire and acts as a communications gateway, converting messages received from the mains wire and sending them to the DALI port on a bi-directional way.

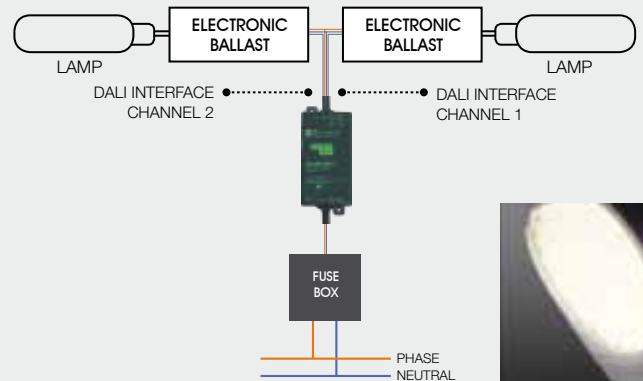
The SLaM-DALI family products are based in two different product references: One device with one DALI port that can control up to one ballast or LED driver, and a second reference with two DALI ports that can control up to two ballasts or drivers, reducing the installation costs when using one control device for two lamps. This solution does not need a DALI port configuration.

- ADJUSTABLE LIGHT DIMMING
- LUMINAIRE ALARM CONTROL
- ELECTRONIC BALLAST OR LED DRIVER CONTROL
- EN62386 DALI STANDARD INTERFACE
- USES EXISTING MAINS WIRE TO TRANSMIT DATA
- STANDARD OPEN SYSTEM EN14908

INSTALLATION EXAMPLE FOR REMOTE CONTROL



SLaM-DALI is a device that can be installed in the pole or inside the luminaire. The DALI port is used to connect the **SLaM-DALI** device to the ballast or driver that controls the lamp. The DALI ports does not need to be configured.



PRINCIPAL FEATURES

- > Point to point luminous flux dimming
- > Alarm failure of every lamp
- > Independent control of up to 2 lamps with one device

ENERGY EFFICIENCY

- > Light dimming to desired level
- > Individual remote control of every luminaire
- > ON/OFF selective zone control
- > Independent dimming schedule by zones and times

REMOTE CONTROL

- > ON/OFF/DIMMING remote control and by scheduler in cabinet
- > Status monitoring of every light point
- > Alarm monitoring of the luminaires

INSTALLATION AND INTEGRATION

- > No needed DALI port configuration
- > Open interoperable system
- > LonMark® compatible
- > DALI standard

PRODUCT REFERENCE

- 01-0401101 SLaM-DALI, Smart Lamp Manager with 1 DALI port
- 01-0402101 SLaM-DALI, Smart Lamp Manager with 2 DALI ports

MAIN FEATURES

- > Power supply 95 to 250Vac
- > Min / Max Power: 0,5 / 1,7 W
- > Working temperature -20°C (-4°F) to 70°C (158°F)
- > Electronic ballast and LED Driver control
- > Can control any power consumption up to 400W
- > Internal relay contact to break ballast supply and reduce energy consumption
- > Provides a preventive maintenance of the installation
- > Installable in pole, inside light point or waterproof enclosure
- > Open communications protocol EN14908 (LonWorks®)
- > Standard DALI Interface EN62386
- > Transmission media using mains wiring (PowerLine)
- > Retransmission data algorithm increases communications reliability
- > Standard PowerLine communication CENELEC 50065-1
- > Dimensions 63x118x40mm (2.45x4.6x1.56 inch) (x-y-z, without fasteners)

This document is subject to change without notice
LonWorks® is a registered trademark of Echelon Corporation