

L-Proxy LP-xxE100 EIA-709 Gateway

Installation instructions

Instructions de montage

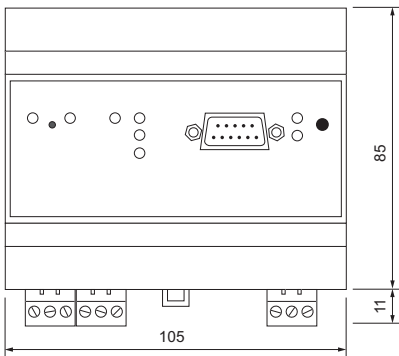
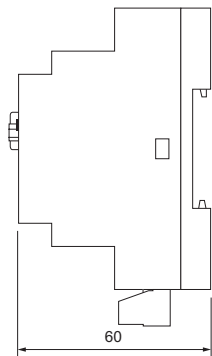
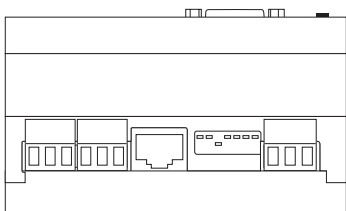
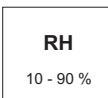
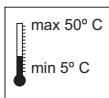
Montageanweisung

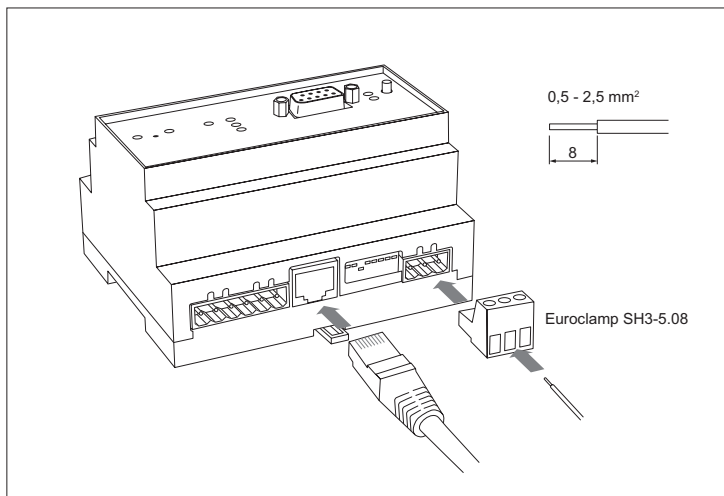
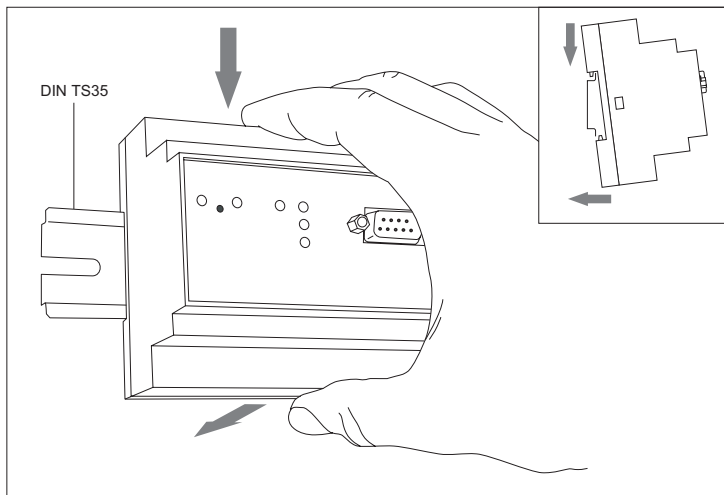
Montagevoorschrift

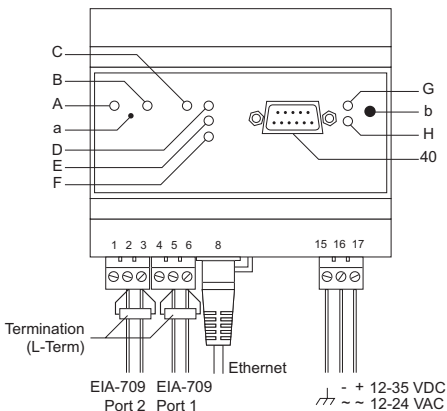
Istruzioni di montaggio

Instrucciones de montaje

Monteringsanvisning







Status LEDs

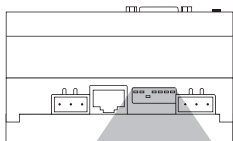
A	GREEN flashing fast GREEN flashing at 1 Hz RED permanent	EIA-709 Traffic on port 2 Port 2 not commissioned Port 2 damaged
B	GREEN flashing fast GREEN flashing at 1 Hz RED permanent	Traffic on port 1 Port 1 not commissioned Port 1 damaged
C	GREEN YELLOW RED Flashing at 1Hz OFF	IP port is fully functional IP port functional but config. is not up-to-date IP port is non-functional IP port not commissioned IP port not active
D	GREEN	Ethernet link
E	GREEN flashing	Ethernet traffic
F	GREEN	Configuration loaded
G	GREEN	Power
H	OFF	Normal operation

Connectors

1	EIA-709 input EARTH GND port 2
2	EIA-709 input B port 2
3	EIA-709 input A port 2
4	EIA-709 input EARTH GND port 1
5	EIA-709 input B port 1
6	EIA-709 input A port 1
8	Ethernet 10/100 BaseT (RJ45)
15	Power supply input earth ground
16	Power supply input MINUS
17	Power supply input PLUS ⚠ Do not connect to GND
40	RS-232 interface (DB9 male)

Buttons

a	Reset
b	Send service pin message



OFF
ON

DIP3	Function (RS-485 version only)
ON	Bit-rate auto detection on
OFF	Bit-rate auto detection off

DIP1	Must be OFF
DIP2	Must be OFF
DIP4	Must be OFF
DIP5	Must be OFF
DIP6	Must be OFF
DIP7	Must be OFF

Node ID of EIA-709 Port 1

Node ID of EIA-709 Port 2

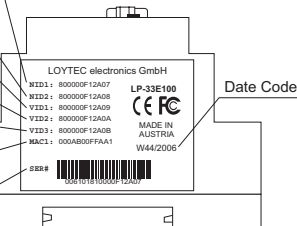
Virtual (Node) ID of node 1 on EIA-852 port (Ethernet)

Virtual (Node) ID of node 2 on EIA-852 port (Ethernet)

Virtual (Node) ID of node 3 on EIA-852 port (Ethernet)

MAC address of EIA-852 Ethernet port

Serial number of the device



Document 88072801
10/2006
Printed in Austria
Data is subject to change

LOYTEC
<http://www.loytec.com>
support@loytec.com